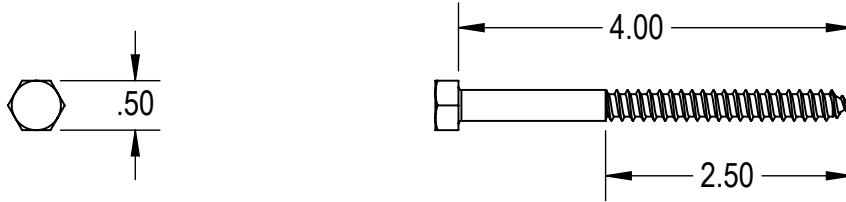


| ITEM NO | DESCRIPTION                                           | QTY IN KIT |
|---------|-------------------------------------------------------|------------|
| 1       | LAG SCREW, 5/16" X 4"                                 | 1          |
| 2       | WASHER, SEALING, EPDM BONDED SS                       | 1          |
| 3       | OPEN SLOTTED L-FOOT, MILL/BLACK                       | 1          |
| 4       | FLAHING, ROUNDED CORNERS, MILL/BLACK                  | 1          |
| 5       | STRUCTURAL SCREW, T-30 HEX WASHER HEAD, 5/16" X 4-1/2 | 1          |

| PART NUMBER   | DESCRIPTION                                 |
|---------------|---------------------------------------------|
| QM-LM-01-M1   | L-MOUNT, OPEN SLOT                          |
| QM-LM-01-B1   | L-MOUNT, OPEN SLOT, BLACK                   |
| QM-LMST-01-M1 | L-MOUNT, OPEN SLOT, STRUCTURAL SCREW        |
| QM-LMST-01-B1 | L-MOUNT, OPEN SLOT, STRUCTURAL SCREW, BLACK |

### 1) LAG SCREW



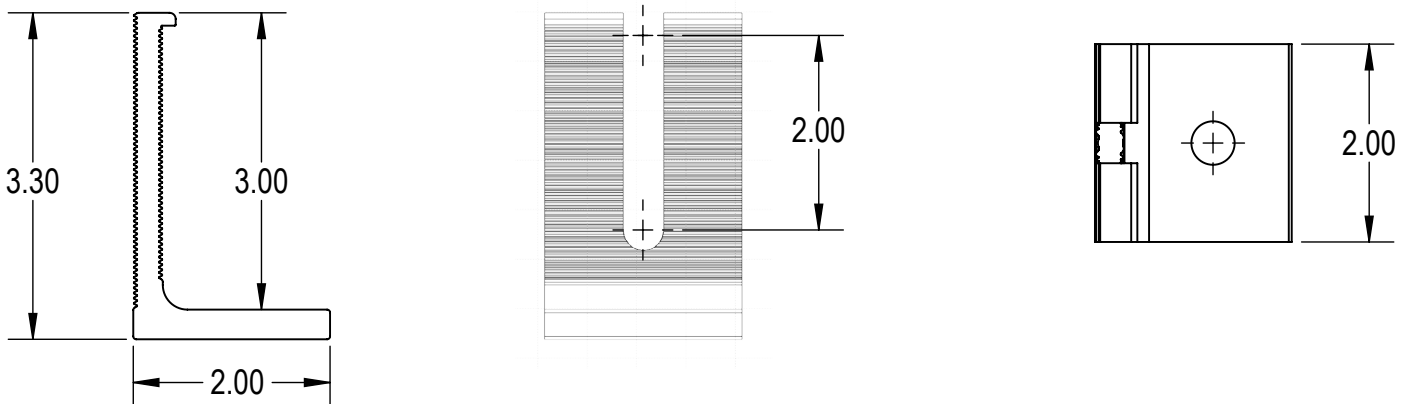
| Property | Value                      |
|----------|----------------------------|
| Material | 300 Series Stainless Steel |
| Finish   | Clear                      |

### 2) WASHER, SEALING, EPDM BONDED SS



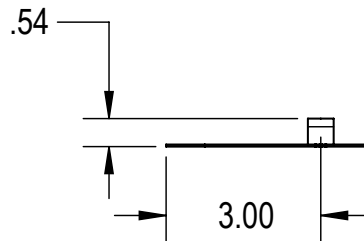
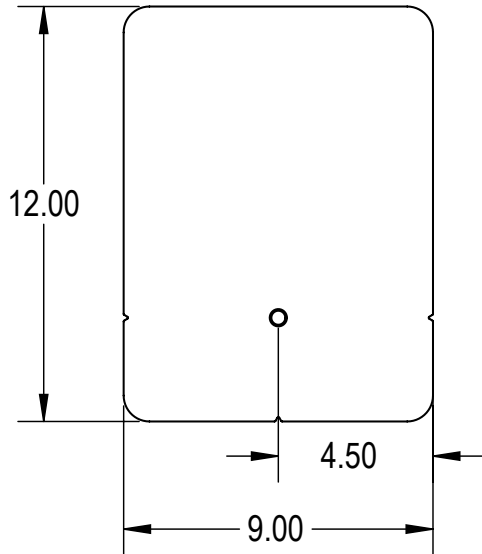
| Property | Value                      |
|----------|----------------------------|
| Material | 300 Series Stainless Steel |
| Finish   | Clear                      |

### 3) OPEN SLOTTED L-FOOT, MILL/BLACK



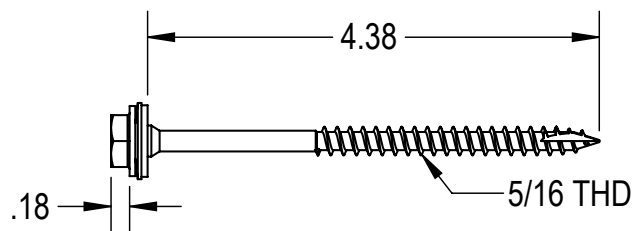
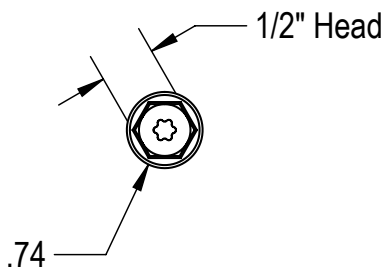
| Property | Value                |
|----------|----------------------|
| Material | 6000 Series Aluminum |
| Finish   | Mill                 |

4) FLASHING, ROUNDED CORNERS, MILL/BLACK



| Property | Value                |
|----------|----------------------|
| Material | 6000 Series Aluminum |
| Finish   | Mill                 |

5) STRUCTURAL SCREW



| Property | Value                      |
|----------|----------------------------|
| Material | 300 Series Stainless Steel |
| Finish   | Clear                      |